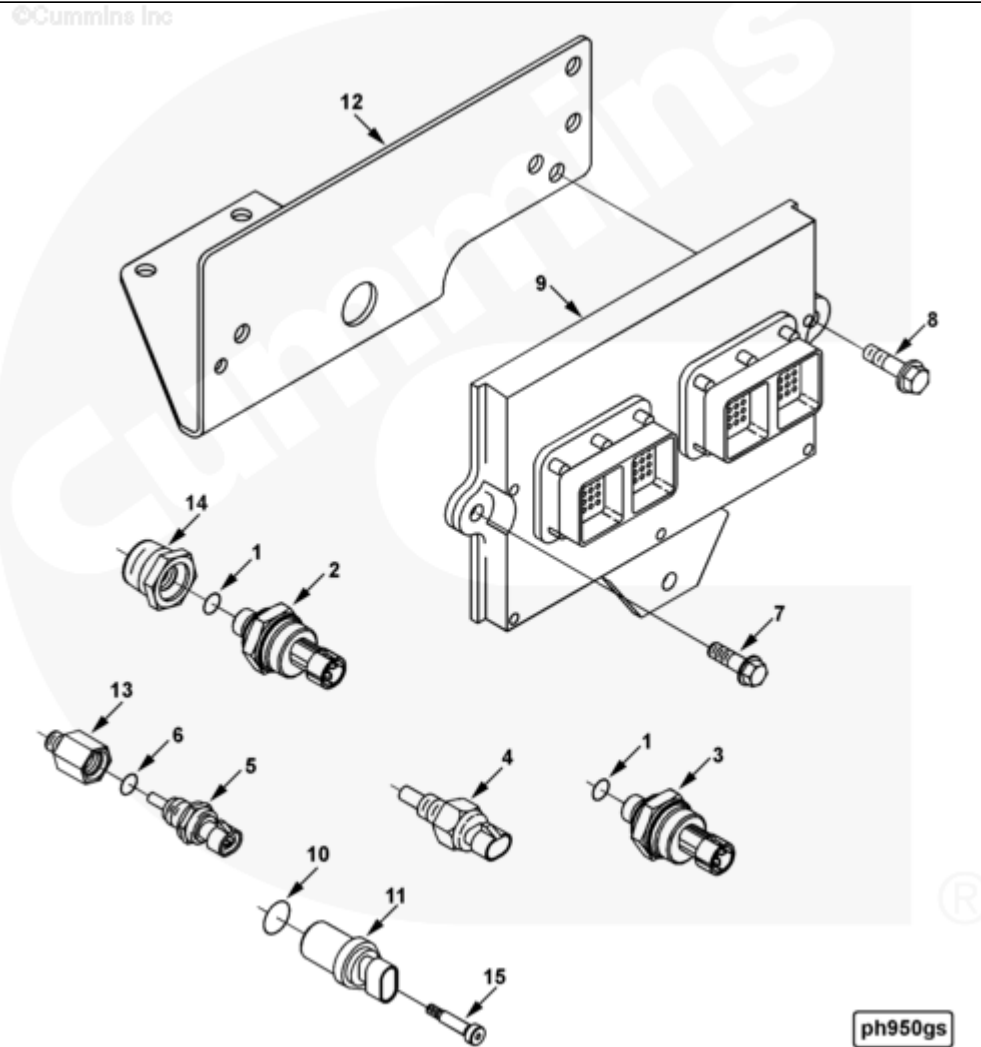




## Parts Catalog - Option Detail

Electronic Parts Catalog - Option Detail				
Option	Group	Graphic	Film Card	Date
PH9801-09	05.06.1	ph950gs	Z	30-APR-04
<b>Engines</b>	6C8.3, C GAS PLUS CM556, G8.3, G8.3 CM558, GTA8.3 CM558, ISC CM2150, ISC CM554, ISC CM850, ISC8.3 CM2250, ISC8.3 G CM2180 C101, ISL CM2150, ISL CM554, ISL CM850, ISL G CM2180, ISL8.9 CM2150 L110, ISL8.9 CM2880 L112, ISL9 CM2150 SN, ISL9 CM2250, ISL9 CM2350 L101, ISL9 CM2350 L111, ISLE4 CM850, L GAS PLUS CM556, L8.9, L8.9 L121, L8.9G CMOH2.0 L125B, L9 CM2350 L116B, L9 CM2350 L119B, L9 CM2350 L120C, L9 CM2350 L123B, L9.3 L105, L9.5 L117, L9N CM2380 L124B, QSC8.3 CM2250, QSC8.3 CM2880 C102, QSC8.3 CM554, QSC8.3 CM850(CM2850), QSL9 CM2250, QSL9 CM2250 L115, QSL9 CM2350 L102, QSL9 CM2350 L107, QSL9 CM2350 L118, QSL9 CM2350 L122, QSL9 CM554, QSL9 CM850(CM2850), QSL9 G CM558, QSL9 M CM2250 L106, QSL9.3 CM2880 L113			



[SMALL](#) | [MEDIUM](#) | [LARGE](#)

Cart	Ref No	Part Number	Part Description	Required	Remarks
<div style="border: 1px solid black; padding: 2px; display: inline-block;">View My Cart</div>					

		<a href="#">PH9801-09</a>	Electronic Control Module		<a href="#">ENGINE CONTROL MODULE...(More)</a>
					Engine Control System:
					Select
					ECM Version: CM552
					ECM Volts: 12V
					ECM Location:
					605.2 Vertical / 271.2
					Horizontal / 342.8 Depth
					Vertical position is measured
					from the crank centerline to
					the top of the ECM.
					Horizontal position measured
					from the front face of block
					to the front of the ECM.
					Depth of ECM measured from
					the engine centerline to the
					front of the ECM.
<input type="checkbox"/>		<a href="#">108330</a>	Plain Washer	2	3/8 in.
<input type="checkbox"/>		<a href="#">3348747</a>	Pressure Sensor	1	Intake Manifold
<input type="checkbox"/>	1	<a href="#">3330202</a>	O-Ring Seal	1	
<input type="checkbox"/>	2	<a href="#">3348748</a>	Pressure Sensor	1	Intake Manifold
<input type="checkbox"/>	3	<a href="#">4088390</a>	Pressure Sensor	1	Oil.
<input type="checkbox"/>		<a href="#">3330202</a>	O-Ring Seal	1	
		<a href="#">4088391</a>	Pressure Sensor	1	
<input type="checkbox"/>	4	<a href="#">3613547</a>	Temperature Sensor	1	Intake Manifold
<input type="checkbox"/>		<a href="#">4088750</a>	Temperature Sensor	1	Coolant Or Oil Or Fuel.
	5	<a href="#">4088751</a>	Temperature Sensor	1	
	6	<a href="#">4921574</a>	O-Ring Seal	1	
	7	<a href="#">3900631</a>	Hexagon Flange Head Cap Screw	2	M8 X 1.25 X 25.

<input type="checkbox"/>					
<input type="checkbox"/>	8	<a href="#">3900628</a>	Hexagon Flange Head Cap Screw	2	M6 X 1.00 X 30.
	9	<a href="#">4078620</a>	Electronic Control Module	1	
		<a href="#">3408576</a>	Electronic Control Module	1	
		<a href="#">4078621</a>	Bootloader Data	1	
		<a href="#">4078622</a>	Non-Volatile Memory Data	1	
<input type="checkbox"/>		<a href="#">3408529</a>	Position Sensor	2	Cam or Crank
<input type="checkbox"/>	10	<a href="#">4010643</a>	O-Ring Seal	1	
	11	<a href="#">3408530</a>	Position Sensor	1	Cam or Crank
<input type="checkbox"/>	12	<a href="#">4078411</a>	Electronic Control Module Bracket	1	
<input type="checkbox"/>	13	<a href="#">4058346</a>	Sensor Adapter	1	
<input type="checkbox"/>	14	<a href="#">4058347</a>	Sensor Adapter	1	
<input type="checkbox"/>	15	<a href="#">4079166</a>	Socket Head Cap Screw	2	
<input type="checkbox"/>		<a href="#">4078627</a>	Sensor Adapter	2	